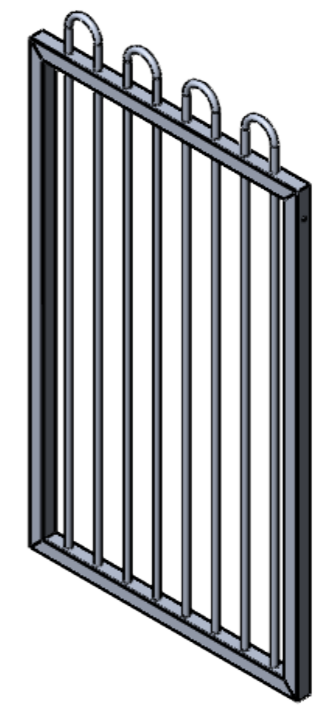
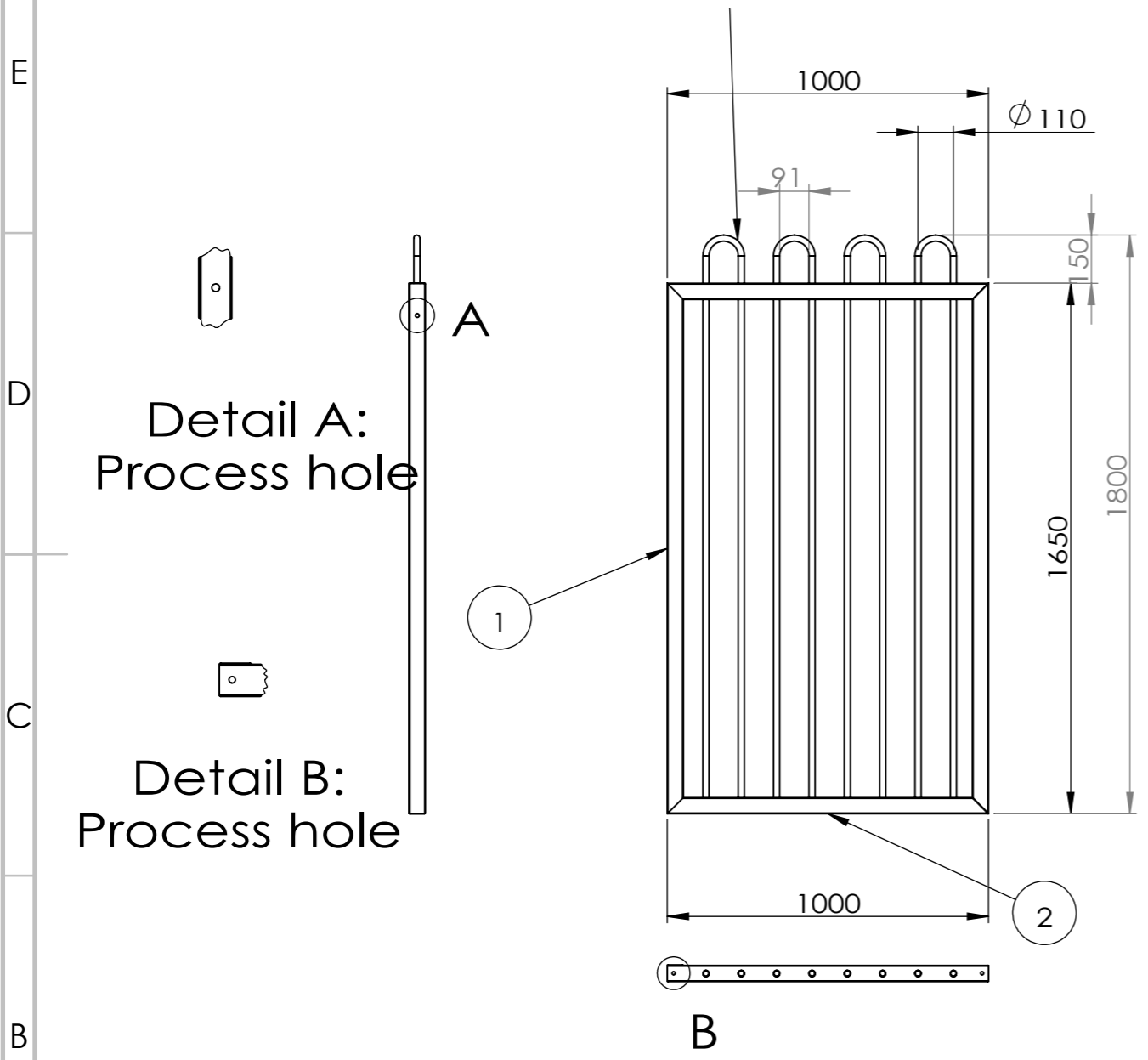


ITEM NO.	PART NUMBER	DESCRIPTION	QTY
1	10703	Aluminium 50*50*2mm*1650mm	2
2	10703	Aluminium 50*50*2mm*1000mm	2
3	11201	Aluminium 19*1.2mm*3662.7mm	4

Loop Top Gate 1000 x 1800



GENERAL NOTES:
 1.UNLESS OTHERWISE SPECIFIED DIMENSIONS ARE MM.
 2.ALL DIMENSIONS ARE BEFORE ANY FINISHING OR COATING.
 3.ALL DIMENSIONS ARE ±1MM(UNLESS OTHERWISE NOTED).
 4.Drawings are for reference only, and if there is any change, consult with management

FENCE FOUNDRY
 METAL FENCES & GATES